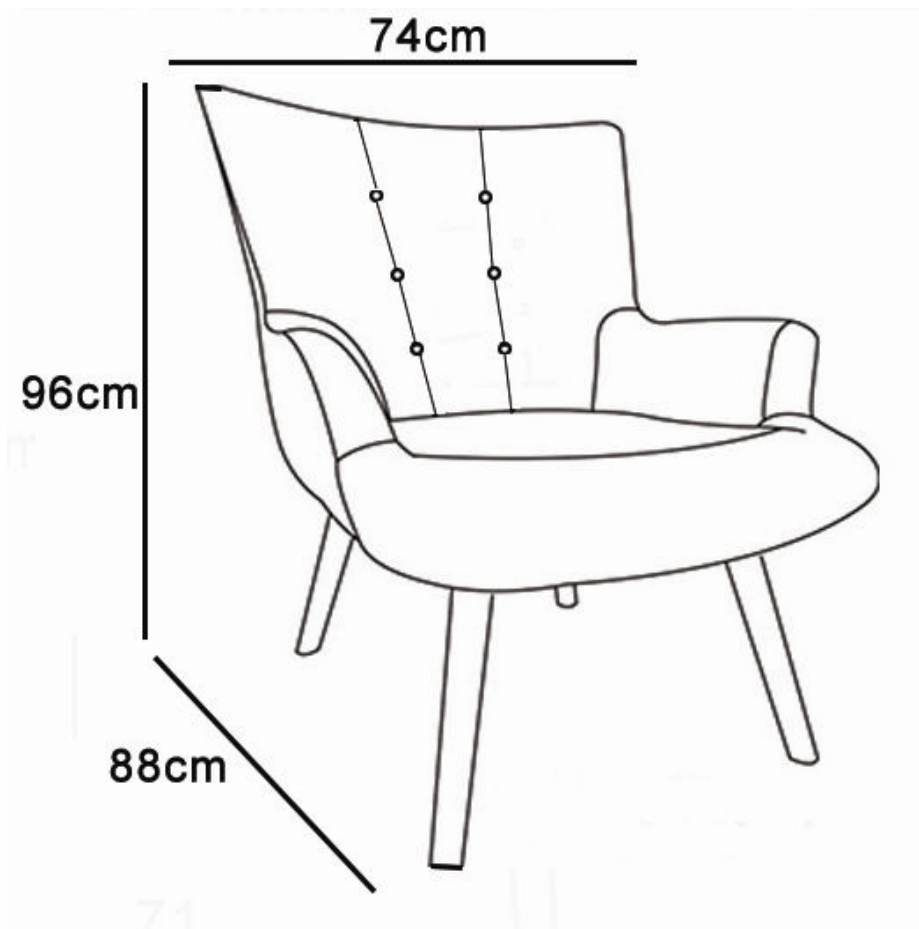




ASSEMBLY INSTRUCTION
ERIN ACCENT CHAIR
ITEM CODE 61661

Imported by Amart Furniture Pty Ltd, Qld, Brisbane Australia.
For any assistance with assembly or for missing parts please phone
Amart Furniture Ewing Road, Customer Service Free call 1800 351 084






Imported by Amart Furniture Pty Ltd, Qld, Brisbane Australia.
For any assistance with assembly or for missing parts please phone
Amart Furniture Ewing Road, Customer Service Free call 1800 351 084

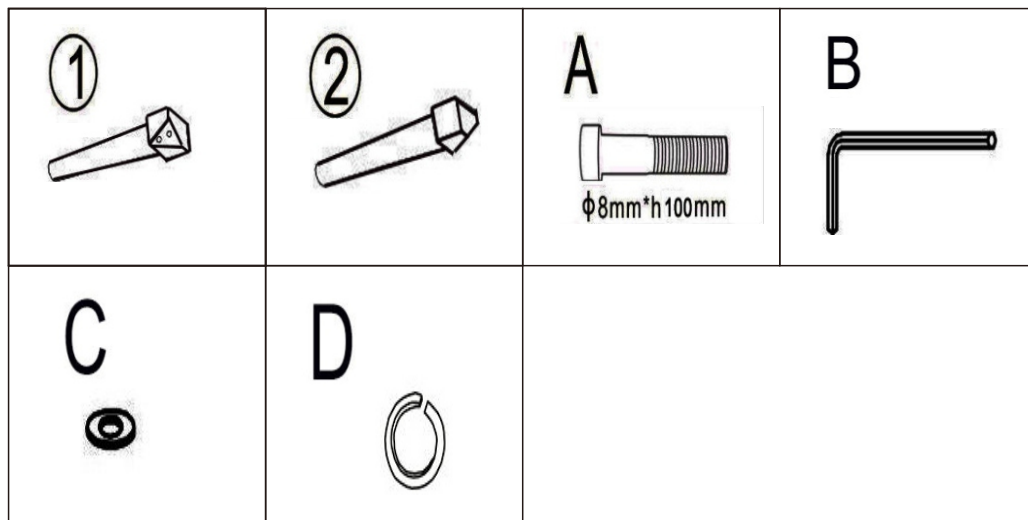
PRE-ASSEMBLY PREPARATION

Before you start:

1. Choose a clean, level, spacious assembly area. Avoid hard surfaces that may damage the product
2. Take care when lifting. Product should be assembled as near as possible to the point of use
3. Ensure that you have all required contents for complete assembly
4. Always read the assembly instructions carefully before beginning assembly.
5. Keep all hardware parts and packaging out of reach of small children.
6. Do not over tighten the screws and bolts as this may damage the threads

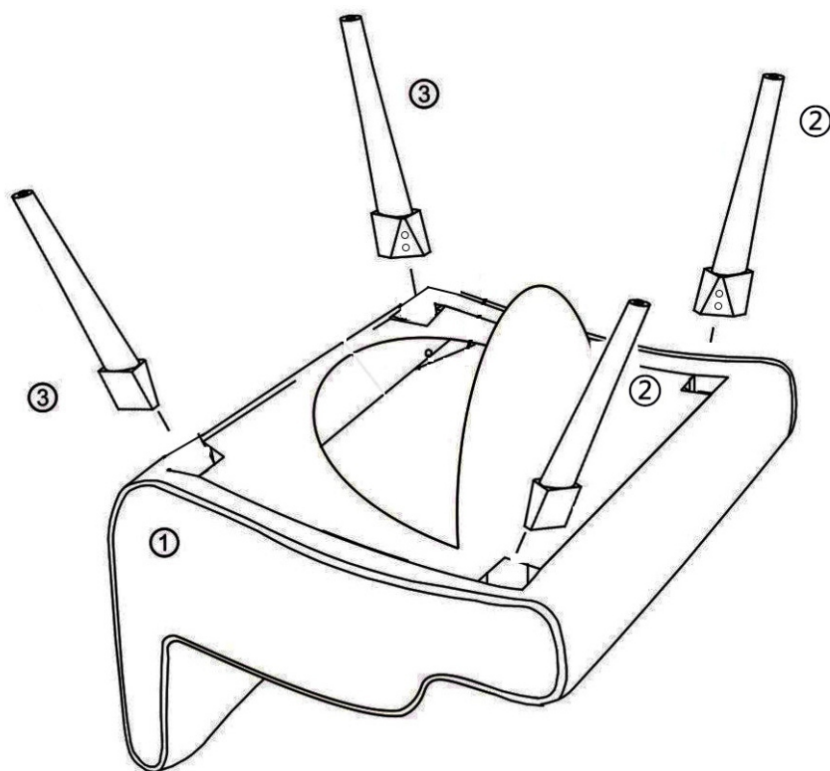
	
ALLOW 5 MINUTES	1 PEOPLE REQUIRED
	
ADDITIONAL TOOLS REQUIRED	

PARTS LIST

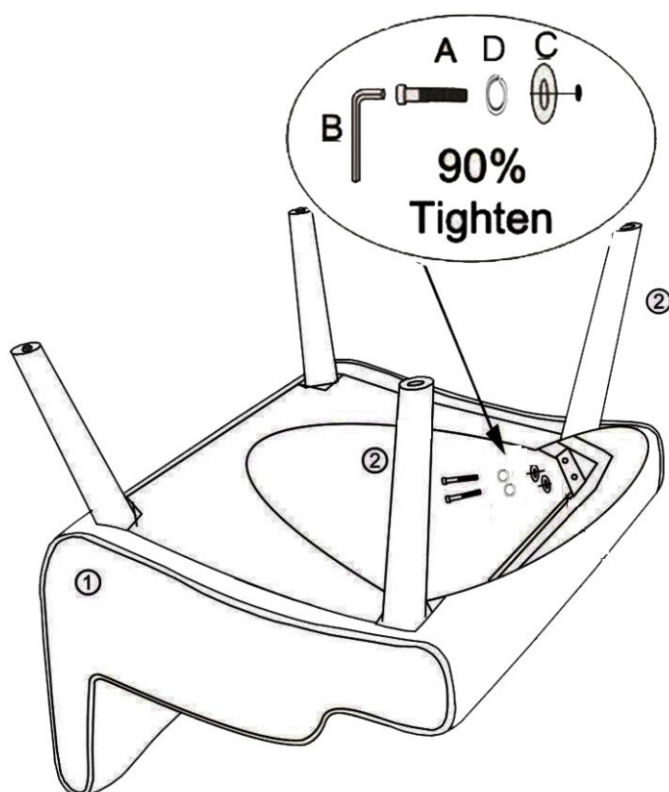


①	2pcs	395mm
②	2pcs	365mm
A	8pcs	ϕ 8mm*h100mm
B	1pcs	m8
C	8pcs	8*22
D	8pcs	m8

STEP 1: Place legs ②, ③ into position as shown



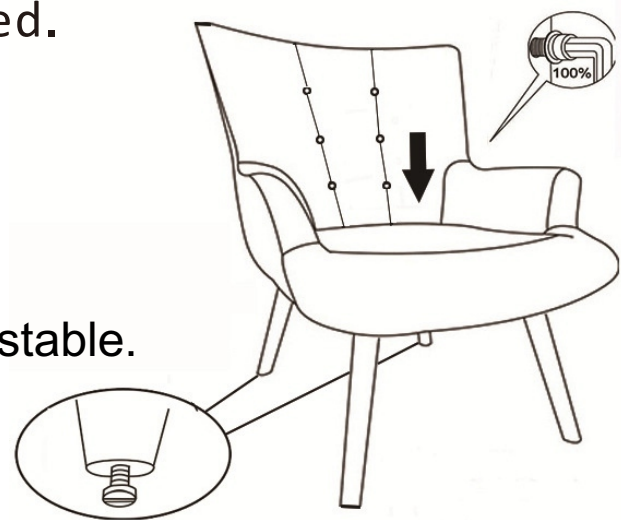
STEP 2: Using the allenkey (B), insert bolt (A) and washers (C, D) into the hole turning clockwise until 90% tightened by hand.



STEP 3: Sit on the chair and when the chair is stable, turn clockwise until fully tightened.

REMARK

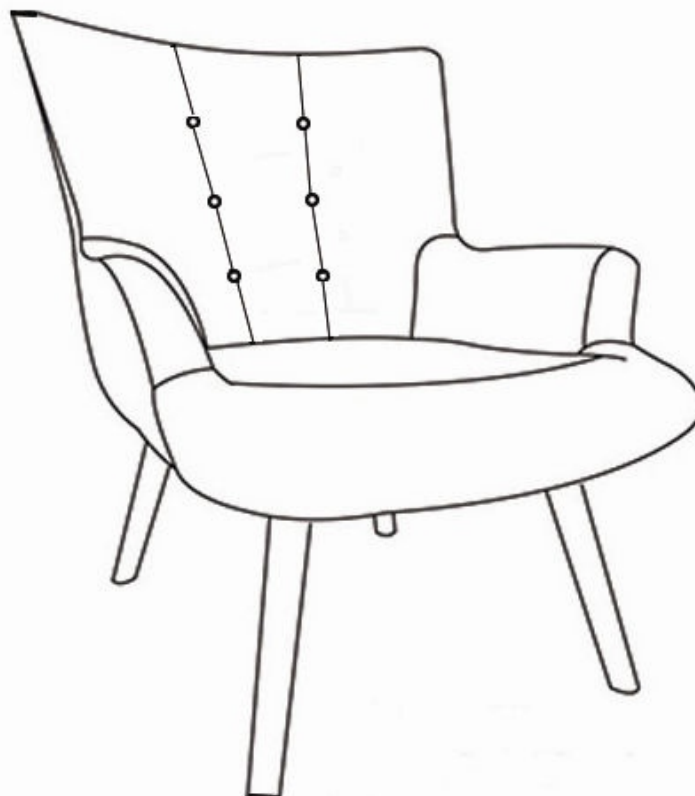
The leveler can be adjustable.



IMPORTANT NOTE:

Before finally tightening the bolts, place the assembled chair upright on a level surface and sit carefully on the chair to ensure the chair legs are aligned and level. Then tighten the bolts, once tightened attach the base cover to the chair and your chair is ready for use.

ASSEMBLY IS COMPLETE



CARE AND MAINTENANCE

CHAIRS AND STOOLS

•Do not:

- Use chair/stool as a ladder
- Climb on the chair/stool
- Stand on the foot-rest of the chair, as this could lead to the stool becoming unbalanced and overturning
- wash the cover with detergent containing bleach, chlorine, abrasive solvents or alcohol-based products
- leave chair/stool in direct or harsh sunlight

•Do

- Blot stains immediately with a clean white cloth. If necessary, wash gently with a mild soap
- Steam cleaning may be used to restore the original texture
- Professional cleaning recommended for stubborn stains